

### Features

- Two-stage filtration and absorption system.
- Reduces Chlorine Taste & Odor, Chloramine, Particulate Class I, Lead, Asbestos, Cyst, Mercury, Turbidity, and select Pharmaceuticals. See Performance Data Sheet for individual contaminants and reduction performance.
- Reduces over 95% of perfluorooctanoic acid (PFOA) and perfluorooctane sulfonate (PFOS) in drinking water.
- Available recycling program of used cartridges, reducing solid waste to landfills.
- Filter head automatically turns off the water supply when cartridge is removed.
- 1.7 gpm (gallons per minute) maximum flow rate at 60 psi.
- Eco-friendly coconut shell-based carbon filter.
- For use with any kitchen, bathroom or beverage faucets. Recommended beverage faucets Wellspring or Carafe.
- Filters cold water only when installed with a kitchen or bathroom faucet.
- Includes K-77688 replacement cartridge two-pack.

### Material

- High-impact plastic construction.

### Installation

- Quarter turn twist cartridge replacement for easy install and replacement.

### Recommended Products/Accessories

- K-77688 Replacement Filter Cartridges, Two-Pack
- K-560 pull-down kitchen sink faucet
- K-596 Pull-Down Kitchen Sink Faucet
- K-597 Pull-down kitchen sink faucet
- K-647 Pull-Down Kitchen Sink Faucet
- K-649 Pull-Down Kitchen Sink Faucet
- K-7505 Pull-Out Kitchen Sink Faucet
- K-7506 Pull-Out Kitchen Sink Faucet
- K-7507 Kitchen Sink Faucet
- K-7508 Kitchen Sink Faucet
- K-7509 Kitchen Sink Faucet
- K-7511 Kitchen Sink Faucet
- K-22033 Single-handle semi-professional kitchen sink faucet
- K-22034 Bar Sink Faucet Swing Spout
- K-77515 Single-handle semi-professional kitchen sink faucet
- K-99259 Pull-Down Kitchen Sink Faucet
- K-99261 Pull-down kitchen sink faucet
- K-99262 Kitchen Sink Faucet Swing Spout w/Spray
- K-99263 Kitchen Sink Faucet Swing Spout
- K-99264 Bar Sink Faucet Swing Spout
- K-99265 Kitchen Sink Faucet Swing Spout w/Spray
- K-99266 Kitchen Sink Faucet Swing Spout
- K-99267 Victorian Bar Sink Faucet
- K-99268 Bar Sink Faucet

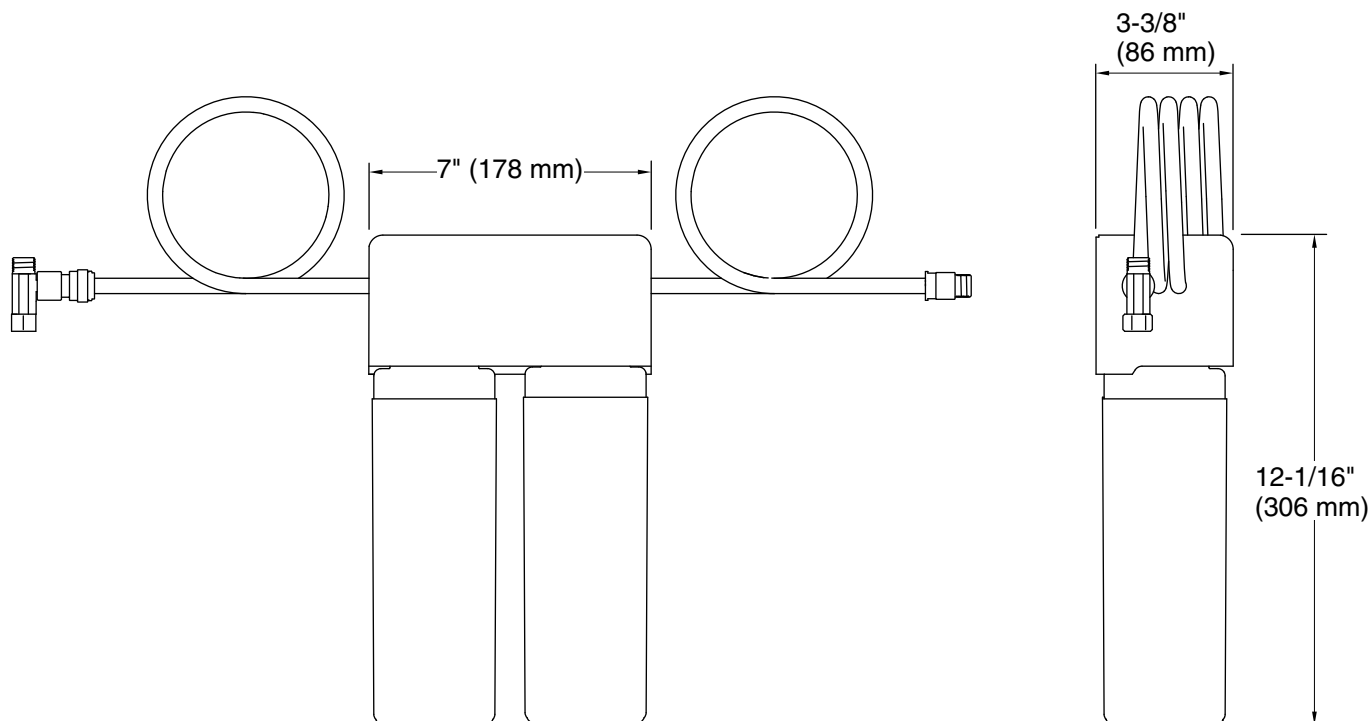


### Codes/Standards

- CSA B483.1
- NSF/ANSI 42
- NSF/ANSI 53
- NSF/ANSI 401
- NSF Protocol P473

### KOHLER® Water Filter Systems Five-Year Limited Warranty

See website for detailed warranty information.



### Technical Information

All product dimensions are nominal.

#### Faucet:

Flow rate: 1.7 gal/min (6.4 l/min)

Pressure: 60 psi (4.1 bar)

Drain included: No

### Notes

Install this product according to the installation guide.

To prevent the risk of property damage, protect from freezing.

For cold water use only.

To ensure the filter continues to reduce contaminants effectively, it is recommended that the filter gets replaced every 6 months.

Application guideline/water supply parameters:

Water Pressure: 40-120 psi (276-827 kPa)

Water Temperature: 33-100°F (0.5-37.8°C)

Capacity: 778 gal (2,945 L)